

GV-SD200-S Outdoor Speed Dome



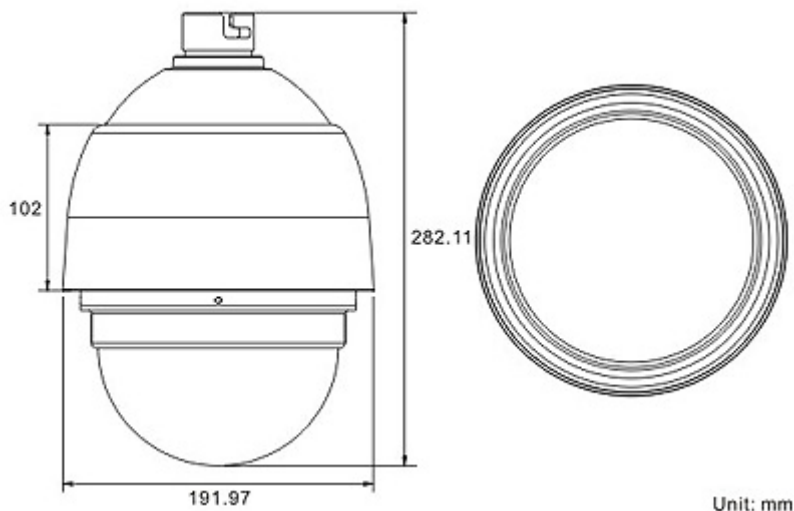
- 2 MP progressive scan CMOS
- 18x Optical Zoom
- 8x Digital Zoom
- H.264 and MJPEG
- Full HD Real-time Resolution
- Two-way audio support on Web interface
- Removable IR Cut Filter
- Motion Detection
- Wide Dynamic Range (WDR)
- Digital Noise Reduction
- IP66 Rating for outdoor environment

INTRODUCTION

The full HD GV-IP Speed Dome provides variable pan/tilt speeds ranging from a fast patrol of 400° per second to a slow rotation of 5° per second with 0.225° pan accuracy for fast and accurate tracking ability. The 360° endless rotation and -10°~190° tilt travel can track objects passing directly beneath the GV-IP Speed Dome. A maximum of 256 preset points can be programmed for precise location of target areas, and users can also define 8 sequences, 4 auto-pan modes and 4 cruise routes for the Dome to operate automatically.

The GV-IP Speed Dome provides 4 alarm inputs and 2 alarm relay outputs, and the alarm management can be done through the network as well.

Overview



SPECIFICATIONS

| Camera | | |
|--------------------------|--|----------------------------------|
| Sensor | 1/2.8" Progressive Scan CMOS Sensor | |
| Optical Zoom | 18X | |
| Digital Zoom | 1~8x variable | |
| Focal Length | 4.7 ~ 84.6 mm | |
| Focus Mode | Auto / Manual | |
| White Balance | Auto/ Indoor/ Outdoor/ ATW | |
| Iris Control | Auto / Manual | |
| Electronic Shutter | 1/30 ~ 1/10000 sec. | |
| AGC control | Auto / Manual | |
| Back Light | On / Off | |
| Minimum Illumination | Color | 0.05 lux at F/1.6 |
| | B/W | 0.01 lux at F/1.6 |
| Video | | |
| Video Codec | H.264, MJPEG | |
| Video Streaming | Single Stream | |
| Video Resolution | 4:3 | 1024 x 768, 800 x 600, 640 x 480 |
| | 16:9 | 1920 x 1080, 1280 x 720 |
| | 5:4 | 1280 x 1024 |
| | D1 | 720 x 576 / 720 x 480 |
| | CIF | 352 x 288 / 352 x 240 |
| Frame Rate | 30/25 fps (60/50 Hz) at 1920 x 1080; 30/25 fps (60/50 Hz) at 1280 x 720 | |
| Audio | | |
| Audio input/output | Two-way audio on Web interface | |
| Audio Codec | G.711 | |
| Network | | |
| Interface | 10/100 Mb Ethernet (RJ-45) | |
| Protocol | IPv4, TCP/IP, UDP, RTP, RTSP, HTTP, HTTPS, ICMP, FTP, SMTP, DHCP, UPnP, IGMP, SNMP, QoS, ONVIF | |
| Web Interface | | |
| Installation Management | Web-based configuration | |
| Maintenance | Firmware upgrade through Web Browser or IP Device Utility | |
| Language | English, French, German, Italian, Japanese, Korean, Portuguese, Russian, Simplified Chinese, Spanish and Traditional Chinese | |
| Operation | | |
| Pan Travel | 360° endless | |
| Tilt Travel | -10° ~ 190° | |
| Manual Speed | 0.5° ~ 90°/s | |
| Presets | 256 | |
| Preset Accuracy | 0.225° | |
| Preset Speed | 5°~400°/s | |
| Sequence | 8 | |
| Auto Pan | 4 | |
| Cruise | 8 | |
| Privacy Mask | 16 | |
| Proportional Pan & Tilt | On/Off (Pan and tilt speed proportional to zoom ratio) | |
| Resume after Power loss | Yes | |
| Home Function | Preset, Sequence, Auto pan, Cruise | |
| Auto Flip | Digital / Mechanical / Off | |
| Digital Slow Shutter | On / Off | |
| Motion Detection | On / Off | |
| Wide Dynamic Range | On / Off | |
| Day/Night: IR Cut Filter | Auto / Manual | |
| Digital Noise Reduction | On / Off | |
| Digital Alarm Input | 4 | |
| Digital Alarm Output | 2 | |
| Alarm Reaction | Preset, Sequence, Auto pan, Cruise | |

| General | |
|-----------------------|--|
| Operating Temperature | -40°C ~ 50°C / -40°F ~ 122°F |
| Dimensions | Ø191.97 x 228.1 mm / 7.55 x 11.1 in (with sunshield) |
| Weight | 2.32 kg / 5.11 lb |
| Power Source | AC24V ± 10% |
| Power Consumption | 65 W (with sunshield) |
| Heater | On: -7°C / 19.4°F ; Off: 3°C / 37.4°F |
| Regulatory | CE, FCC, RoHS, IP66 |

Note: Specifications are subject to change without notice.

Accessory

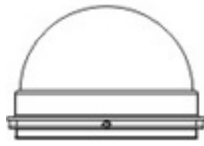
| Part Number | Number Name | | Details |
|--------------------------------------|---------------------------|--|--|
| GV-MountD100 | Straight Tube (25 cm) | | Height: 250 mm / 9.8 in Diameter: 50 mm / 2 in Weight: 1 kg / 2.2 lb Supplied with rubber washer-8 x 1, pendent tube washer x 1, spring washer -8 x 1, waterproof rubber x 1, M8-12 screw x 1 |
| GV-MountD101 | Straight Tube (50 cm) | | Height: 500 mm / 19.7 in Diameter: 50 mm / 2 in Weight: 1.8 kg / 4 lb Supplied with rubber washer-8 x 1, pendent tube washer x 1, spring washer -8 x 1, waterproof rubber x 1, M8-12 screw x 1 |
| GV-MountD203 (w/o anti-drop wire) | Standard Pendent Mount | | Dimensions (L x W x D): 348 x 104 x 138.6 mm / 13.7 x 4.1 x 5.5 in Weight: 1.5 kg / 3.3 lb Supplied with rubber washer-8 x 1, pendent tube washer x 1, spring washer-8 x 1, M8-12 screw x 1 |
| GV-MountD300 | Corner Plate Mount | | Dimensions (L x W x D): 222 x 204 x 117 mm / 8.7 x 8 x 4.6 in Weight: 2 kg / 4.4 lb Supplied with washer-8 x 4, spring washer x 4, M8-16 screw x 4, M8 nut x 4 |
| GV-MountD301 | Corner Thin Box Mount | | Dimensions (L x W x D): 300 x 164 x 222 mm / 11.8 x 6.5 x 8.7 in Weight: 3.05 kg / 6.7 lb Supplied with washer x 4, M8-16 screw x 4, spring washer x 4 Power Box can be set inside the thin box. |
| GV-MountD400 | Pole Thin Box Mount | | Dimensions (L x W x D): 291 x 136 x 242 mm / 11.5 x 5.4 x 9.5 in Weight: 3.1 kg / 6.9 lb Supplied with M8-16 screw x 4, washer x 4, spring washer x 4, stainless steel straps x 4 Power Box can be set inside the thin box. |
| GV-MountD401 | Pole Thin Direct Mount | | Dimensions (L x W x D): 232 x 136 x 60 mm / 9.1 x 5.4 x 2.4 in Diameter: 112~114 mm / 4.4 ~ 4.5 in Weight: 0.7 kg / 1.6 lb Supplied with stainless steel strap x 4, M8-16 screw x 4, washer x 4 |

| | | | |
|--------------------------------------|---------------------------------------|---|--|
| GV-MountD302 | Wall Box Mount |  | Dimensions (L x W x D): 270 x 166 x 95 mm / 10.6 x 6.5 x 3.7 in Weight: 2.2 kg / 4.84 lb Supplied with M8-16 screw x 4, washer x 4, spring washer x 4 Power Box can be set inside the wall box. |
| GV-MountD605 | 5.8" Smoke Cover |  | Diameter: 145 mm / 5.7 in |
| GV-MountD500 | Power Box (Input: 110 -115V AC) |  | Dimensions (L x W): 185.5 x 147 mm / 7.3 x 5.8 in Weight: 2.6 kg / 5.8 lb Output: 24VAC 72VA |
| GV-MountD501 | Power Box (Input: 220 -230V AC) |  | Dimensions (L x W): 185.5 x 147 mm / 7.3 x 5.8 in Weight: 2.6 kg / 5.8 lb Output: 24VAC 72VA |
| E57-A1030-100 | Power Adaptor (Input: 100-115V AC) |  | Dimensions (L x W): 131 x 90 mm / 5.16 x 3.54 in Weight: 1.47 kg / 3.23 lb Output: 24V AC 3A |
| E57-A2030-110 | Power Adaptor (Input: 220-230V AC) |  | Dimensions (L x W): 131 x 90 mm / 5.16 x 3.54 in Weight: 1.47 kg / 3.23 lb Output: 24V AC 3A |
| GV-MountD202 (w/o anti-drop wire) | Mini Pendant Mount |  | (included in packing list) Dimensions (L x W x D): 184 x 104 x 115.2 mm / 7.24 x 4.09 x 4.54 in Weight: 0.6 kg / 1.2 lb Supplied with rubber washer-8 x 1, pendant tube washer x 1, spring washer-8 x 1, M8-12 screw x 1 |
| GV-MountD902 | Outdoor Mounting Kit |  | (included in packing list) Height: 73 mm / 2.87 in Diameter: 142.58 mm / 5.6 in Weight: 0.26 kg / 0.57 lb Supplied with Waterproof Rubber, T5/T10 Hexagon Key, M5 Stainless Screw x1, M5 Stainless Tamperproof Screw x1 |

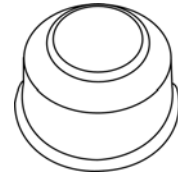
Packing List



Dome Camera



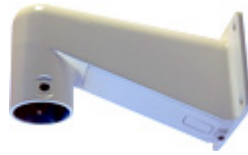
Optical Cover



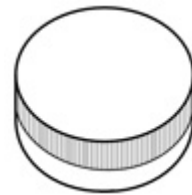
Waterproof Rubber



Outdoor Mounting Kit
(GV-MountD902)



Mini Pendant Mount (GV-MountD202)



Lubricant



Security Torx



Software DVD x 1

Terminal Block
Short Screw (x1)