

## GV-MFD520 5MP H.264 Mini Fixed Dome



- 5 Megapixel Progressive Scan CMOS
  - Stream 1 from H.264 and MJPEG;  
Stream 2 from H.264, MPEG4 and MJPEG
  - Up to 10 fps at 2560 x 1920
  - Built-in microphone
  - Micro SD/SDHC Card Slot
  - Active Tampering alarm
  - Motion detection
  - Privacy mask
  - IP address filtering
  - iPhone, iPad, Android
  - PoE (Power over Ethernet)
  - Megapixel lens
  - Supports iPhone, iPad, Android & 3GPP
  - 28 languages on Web interface
- \* No SD/SDHC card slot & local storage function for Argentina.

### Active Tampering Alarm

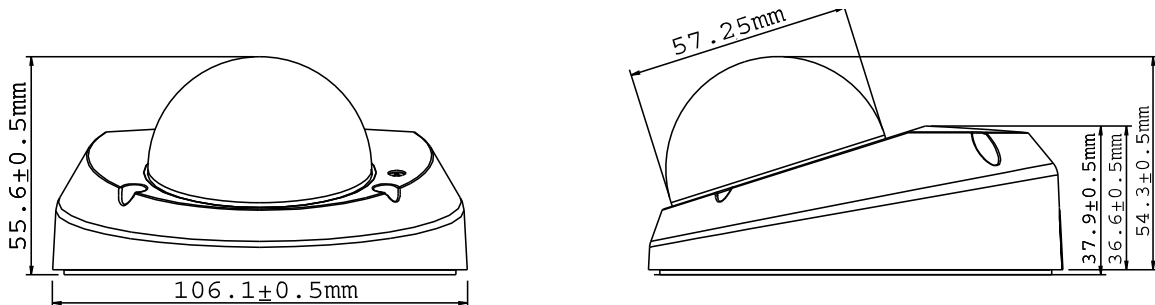
Tampered



Focus Change



Camera Shift



### SPECIFICATIONS

Camera		
Image Sensor	1/2.5" progressive scan CMOS	
Picture Elements	2560 (H) x 1920 (V)	
Minimum Illumination	Color	0.5 Lux at F/2.8
Shutter Speed	Automatic, Manual (1/5 ~ 1/8000 sec)	
White Balance	Automatic, Manual (2800K ~ 8500K)	
Lens		
Megapixel	Yes	
Day/Night	Yes (electronic)	
Iris	Fixed	
Focal Length	2.54 mm	
Maximum Aperture	F/2.8	
Mount	M12, Pitch 0.5 mm	
Image Format	1/2.5"	
Angle of View	Diagonal	162.5°
	Horizontal	130.1°
	Vertical	97.3°
Operation	Focus	No
	Zoom	No
	Iris	Fixed

Operation		
Video Compression	H.264, MPEG4, MJPEG	
Video Stream	Streaming 1 from H.264 and MJPEG, Streaming 2 from H.264, MPEG4 and MJPEG	
Frame Rate	10 fps at 2560 x 1920 * The frame rate and the performance may vary depending on the number of connections and data bitrates (different scenes).	
Image Setting	Brightness, Contrast, Sharpness, Gamma, White Balance, Flicker-less 50/60 Hz, Image Orientation, Shutter Speed, Backlight Compensation	
Audio Compression	G.711, AAC (16 kHz / 16 bit) * AAC is only supported by GV-System V8.5 or later	
Sensor Input	No	
Alarm Output	No	
Video Resolution		
Main Stream	4:3	2560 x 1920, 2048 x 1536, 1600 x 1200, 1280 x 960, 640 x 480, 320 x 240
	16:9	1920 x 1080, 1280 x 720, 640 x 360, 448 x 252
	5:4	1280 x 1024, 640 x 512, 320 x 256
Sub Stream	4:3	640 x 480, 320 x 240
	16:9	640 x 360, 448 x 252
	5:4	640 x 512, 320 x 256
Network		
Interface	10/100 Ethernet	
Ethernet Protocol	HTTP, HTTPS, TCP, UDP, SMTP, FTP, DHCP, NTP, UPnP, DynDNS, 3GPP/ISMA, RTSP, PSIA, SNMP, QoS (DSCP)	
Mechanical		
Lens Mounting	M12, Pitch 0.5 mm	
Temperature Detector	Yes	
Camera Angle Adjustment	Pan	-45° ~ 45°
	Tilt	0° ~ 90°
Connectors	Power	3-pin terminal block, PoE
	Ethernet	Ethernet (10/100 Base-T), RJ-45
	Audio	Built-in microphone
	Digital I/O	No
	Auto Iris	No
	Local Storage	Micro SD/SDHC memory card slot (for Class 6 card or above)
LED Indicator	4 LEDs: Link, ACT, Power, Status	
General		
Environment Temperature	0 °C ~ 50 °C / 32 °F ~ 122 °F	
Humidity	10% to 90% (no condensation)	
Power Source	12V DC / PoE (IEEE802.3af)	
Max. Power Consumption	6 W	
Dimensions	Camera Body	ø 106 x 55.6 mm / 4.2 x 2.2 in
	Cable Length	1 m / 3.28 ft
	Cable Diameter	ø 8 mm / 0.31 in
	Maximum Connector Diameter	ø 28.5 mm / 1.12 in
Weight	280 g / 0.62 lb	
Regulatory	CE, FCC, C-Tick, RoHS compliant	
Power over Ethernet		
PoE Standard	IEEE 802.3af Power over Ethernet / PSE	
PoE Power Supply Type	End-Span	
PoE Power Output	Per Port 48V DC, 350mA. Max. 15.4 watts	
Web Interface		
Installation Management	Web-based configuration	
Maintenance	Firmware upgrade through Web Browser or Utility	
Access from Web Browser	Camera live view, video recording, change video quality, bandwidth control, image snapshot, Wide Angle Lens Dewarping, audio, Picture in Picture, Picture and Picture, Privacy Mask, Text Overlay	

Language	Czech / Danish / English / French / German / Hebrew / Hungarian / Italian / Japanese / Polish / Portuguese / Russian / Serbian / Simplified Chinese / Spanish / Traditional Chinese * Bulgarian, Dutch, Greek, Indonesian, Lithuanian, Norwegian, Persian, Romanian, Slovakian, Slovenian, Thai and Turkish are only supported in V1.07 or later.
<b>Applications</b>	
Network Storage	GV-NVR, GV-System, GV-Backup Center, GV-Recording Server
Mobile Phone support	GV-AView for Android Smartphone, GV-Eye HD for iPad, GV-Eye for iPhone and iPod Touch, GV-GView for Windows PDA, GV-MSView for Windows Smartphone, GV-SSView for Symbian Smartphone, 3G-enabled phone.
Live Viewing	IE , GV-MultiView
CMS Server support	GV-Control Center, GV-Center V2, GV-VSM

**Note:** Specifications are subject to change without notice.