



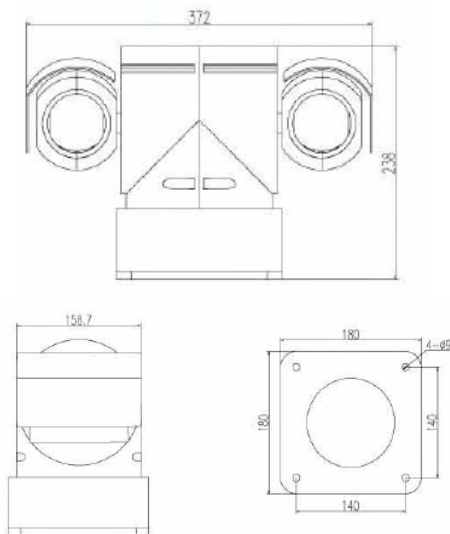
PTZ-2680HDN



Shock Absorber

- Built-in Infra-Red LED covers up to 80meters
- IP66 Outdoor weather-proof design with wiper and high die-cast aluminum casing
- Super shock-proof, especially suitable for car surveillance
- 360° continuously rotation, Tilt angle up to 180°
- 6 cruising tracks, each cruising track has 16 preset position, 128 preset positions

DIMENSIONS



SPECIFICATIONS

Model	PTZ-2680HDN
Image Sensor	1/4 " CCD (Sony Camera Module)
Active pixels	752(H) x 582(V)
Synchronization	Internal
Video Output	VBS 1.0Vp-p/ 75 ohms
White balance	Auto / Manual
Scanning frequency	15.625KHz(H) 50Hz(V)
Horizontal resolution	480TVL
S/N Ratio	≥ 50dB
Electronic shutter	1/3 ~ 1/10000s
Min. illumination	0Lux (LED ON)
Optical Zoom & Focal length	26x, f=.3.5~91mm
Iris	Auto / Manual
Pan speed	0° ~ 80°/s (Preset 100°/s)
Tilt speed	0° ~ 40°/s (Preset 60°/s)
Pan range	360° Continuously
Title range	+90° ~ -90°
Preset track	128 presets, 6 tracks
Communication	Multi-protocol, Baud rate from 2400~19200Bps, RS485 control
Relative humidity	90% without agglomeration
IP grade	IP66
Work temperature	-35°C ~ 55°C
Power supply	DC10.5V ~ DC18V (50VA)
Shock	≥ 4G
Weight	6Kg